



# TSH512

## Hi-fi stereo/mono infrared transmitter and stereo sub-carrier generator

### Features

- Supply voltage: 2.3V to 5.5V
- Carrier frequency range: 0.4 to 11MHz
- High versatility: I/O pins for each section
- Two FM transmitters for stereo
- Sinusoidal carriers for high spectral purity
- Micro or line level preamplifiers with ALC
- VOX function to save on battery power
- Transmitter TX2 standby for mono operation

### Applications

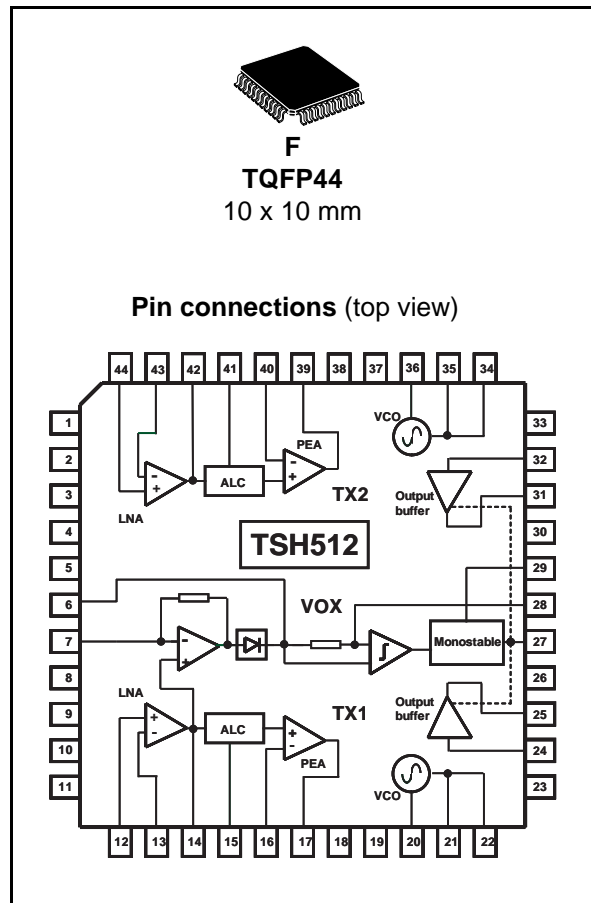
- Infrared hi-fi stereo transmitters
- Infrared headsets
- Stereo sub-carrier for video transmitters
- Voice-operated wireless web cams
- FM IF transmit systems

### Description

The TSH512 is a 0.4 to 11MHz dual FM transmitter. Access pins to each section give high versatility and allow for several different applications: stereo headphone, multimedia headset, audio sub-carrier generator.

The TSH512 integrates, in a single chip: low-noise audio preamplifiers with ALC (automatic level control), frequency-modulated oscillators, and linear output buffers to drive external transistors. The sinusoidal carriers facilitate the filtering and allow high performance audio transmission.

The VOX (voice operated transmit) circuitry disables the output buffer when there is no audio signal to save battery power. For MONO applications, the STANDBY pin enables one transmitter only, reducing the supply current.



The TSH512 forms a chipset with the dual receiver TSH511.

# Contents

- 1 Absolute maximum ratings and operating conditions . . . . . 3**
- 2 Device diagrams and schematics . . . . . 4**
- 3 Electrical characteristics . . . . . 8**
  - Supply section. . . . . 11
  - Audio section . . . . . 11
  - RF section. . . . . 13
- 4 Application information . . . . . 15**
  - 4.1 Infrared stereo transmitter application (stereo headphones) . . . . . 15
  - 4.2 Sub-carrier generator application: voice-operated wireless camera . . . . . 17
  - 4.3 Multimedia application . . . . . 17
    - 4.3.1 Headset side . . . . . 17
    - 4.3.2 Computer side . . . . . 18
- 5 General description . . . . . 19**
  - 5.1 LNA section: low noise amplifier . . . . . 19
  - 5.2 Electret condenser microphone source . . . . . 20
  - 5.3 MIC-BIAS section: microphone bias voltage . . . . . 21
  - 5.4 ALC section: automatic level control . . . . . 22
  - 5.5 VOX description: voice operated transmit . . . . . 22
  - 5.6 PEA section: pre-emphasis . . . . . 25
  - 5.7 VCO section: voltage controlled oscillator . . . . . 26
  - 5.8 Output buffer section . . . . . 27
  - 5.9 SBY pin: standby for mono operation . . . . . 27
- 6 Package information . . . . . 27**
- 7 Ordering information . . . . . 29**
- 8 Revision history . . . . . 29**

# 1 Absolute maximum ratings and operating conditions

**Table 1. Absolute maximum ratings (AMR)**

Symbol	Parameter	Value	Unit
$V_{CC}$	Supply voltage <sup>(1)</sup>	7	V
$T_{oper}$	Operating free air temperature range	-40 to +85	°C
$T_{stg}$	Storage temperature	-65 to +150	°C
$T_j$	Maximum junction temperature	150	°C
$R_{thjc}$	Thermal resistance junction to case	14	°C/W
$R_{thja}$	Thermal resistance junction to ambient area	45	°C/W
Latch-up	Class <sup>(2)</sup>	A	
ESD sensitive device: handling precautions required			
ESD except pin 20 & 36	HBM: human body model <sup>(3)</sup>	2	kV
	CDM: charged device model <sup>(4)</sup>	1	
	MM: machine model <sup>(5)</sup>	0.2	

1. All voltage values, except differential voltage, are with respect to network ground terminal.
2. Corporate ST Microelectronics procedure number 0018695.
3. Human body model: A 100pF capacitor is charged to the specified voltage, then discharged through a 1.5kΩ resistor between two pins of the device. This is done for all couples of connected pin combinations while the other pins are floating.
4. Charged device model: all pins and the package are charged together to the specified voltage and then discharged directly to the ground through only one pin. This is done for all pins.
5. Machine model: A 200pF capacitor is charged to the specified voltage, then discharged directly between two pins of the device with no external series resistor (internal resistor < 5Ω). This is done for all couples of connected pin combinations while the other pins are floating..

**Table 2. Operating conditions**

Symbol	Parameter	Value	Unit
$V_{CC}$	Supply voltage	2.3 to 5.5	V
$f_{audio}$	Audio frequency range	20 to 20,000	Hz
$f_{carrier}$	Carrier frequency range	0.4 to 11	MHz

## 2 Device diagrams and schematics

This section contains a detailed block diagram of the TSH512 (Figure 1), with an accompanying pin description (Table 3 on page 5), as well as the schematics of a typical application (Figure 2 on page 7).

Figure 1. Block diagram

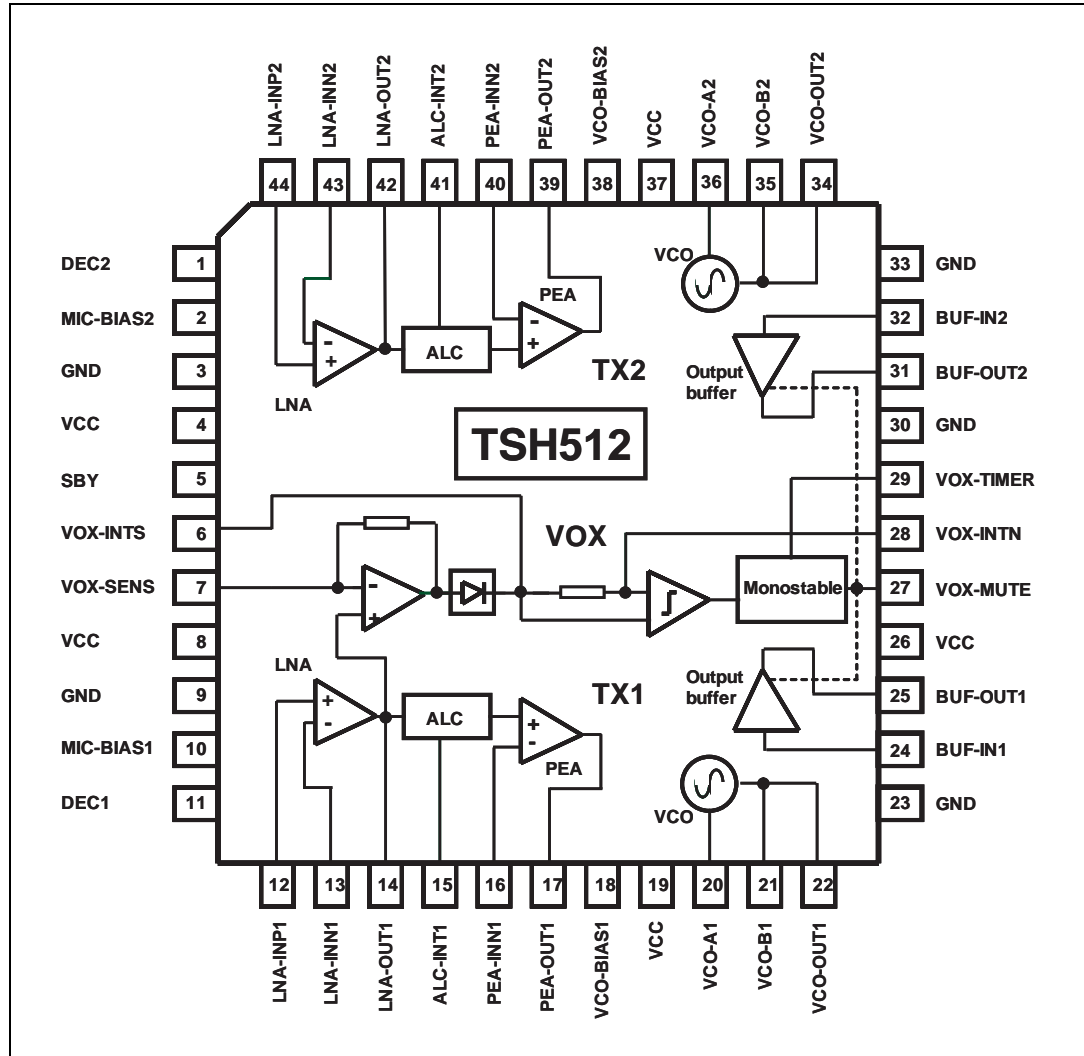


Table 3. Pin descriptions

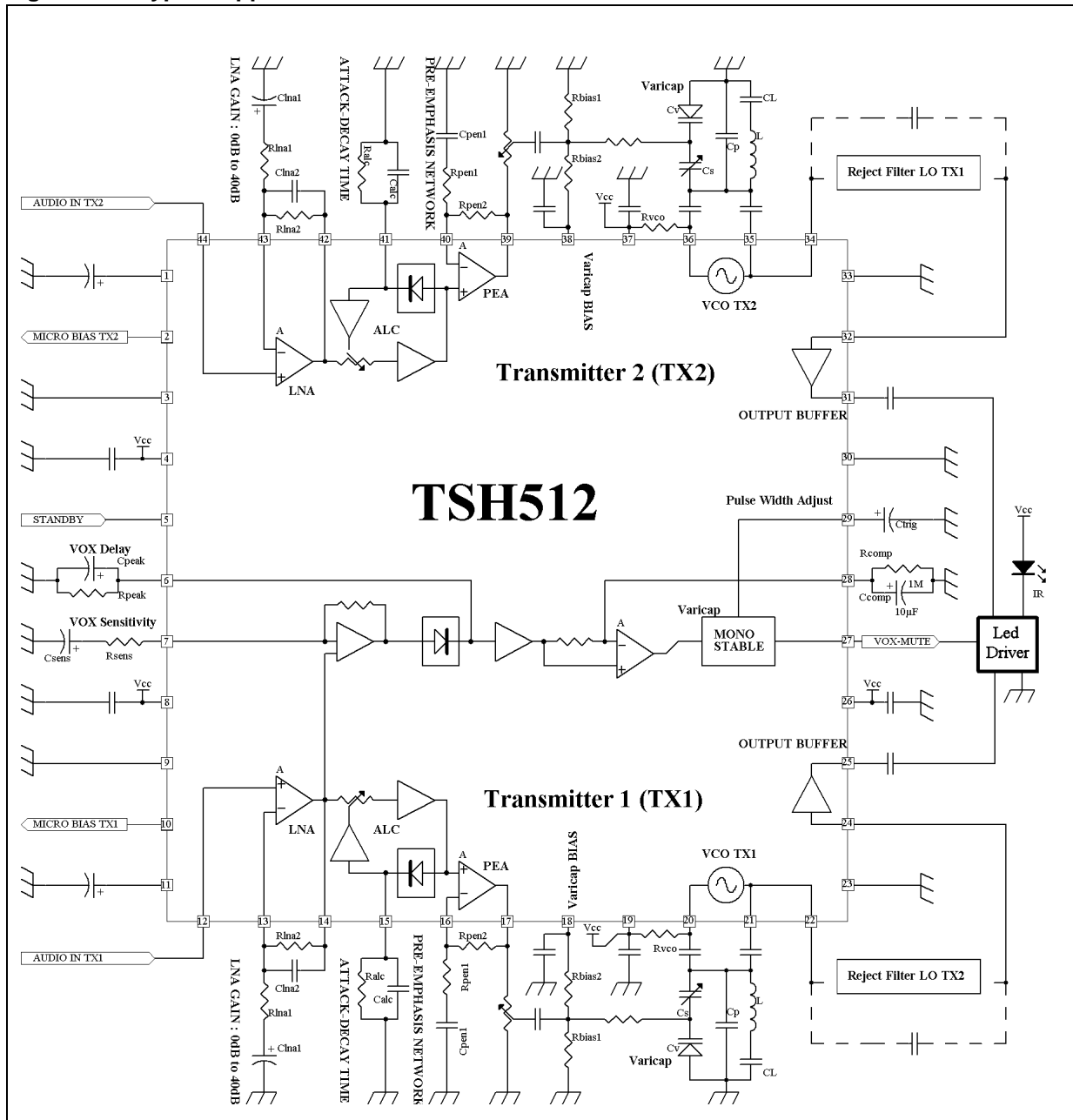
Pin	Pin name	Related to	Direction <sup>(1)</sup>	Pin description
1	DEC2	TX2	-	Decoupling capacitor for internal voltage reference
2	MIC-BIAS2	TX2	O	Microphone bias
3	GND	-	-	GROUND
4	VCC	-	-	SUPPLY VOLTAGE
5	SBY	TX1 & TX2	I	Standby Control (INPUT pin)
6	VOX-INTS	TX1 & TX2	-	Time constant terminal for Audio Signal integrator in VOX
7	VOX-SENS	TX1 & TX2	-	Gain adjustment for VOX input sensitivity
8	VCC	-	-	SUPPLY VOLTAGE
9	GND	-	-	GROUND
10	MIC-BIAS1	TX1	O	Microphone bias
11	DEC1	TX1	-	Decoupling capacitor for internal voltage reference
12	LNA-INP1	TX1	I	LNA positive input
13	LNA-INN1	TX1	I	LNA negative input
14	LNA-OUT1	TX1	O	LNA output
15	ALC-INT1	TX1	-	Time constant terminal for integrator in ALC
16	PEA-INN1	TX1	I	Pre-Emphasis Amplifier negative input
17	PEA-OUT1	TX1	O	Pre-Emphasis Amplifier output
18	VCO-BIAS1	TX1	O	Bias for external VCO components
19	VCC	-	-	Supply Voltage
20	VCO-A1	TX1	-	Oscillator component connection
21	VCO-B1	TX1	-	Oscillator component connection
22	VCO-OUT1	TX1	O	VCO output
23	GND	-	-	Ground
24	BUF-IN1	TX1	I	Input to the output buffer
25	BUF-OUT1	TX1	O	Output of the output buffer
26	VCC	-	-	Supply Voltage
27	VOX-MUTE	TX1 & TX2	O	Mute control (Output pin) in VOX
28	VOX-INTN	TX1 & TX2	-	Time constant terminal for Noise integrator in VOX
29	VOX-TIMER	TX1 & TX2	-	Rise time for timer in VOX
30	GND	-	-	Ground
31	BUF-OUT2	TX2	O	Output of the output buffer
32	BUF-IN2	TX2	I	Input to the output buffer
33	GND	-	-	Ground
34	VCO-OUT2	TX2	O	VCO output
35	VCO-B2	TX2	-	Oscillator component connection

**Table 3. Pin descriptions (continued)**

Pin	Pin name	Related to	Direction <sup>(1)</sup>	Pin description
36	VCO-A2	TX2	-	Oscillator component connection
37	VCC	-	-	Supply voltage
38	VCO-BIAS2	TX2	O	Bias for external VCO components
39	PEA-OUT2	TX2	O	Pre-Emphasis Amplifier output
40	PEA-INN2	TX2	I	Pre-Emphasis Amplifier negative input
41	ALC-INT2	TX2	-	Time constant terminal for internal peak detector in ALC
42	LNA-OUT2	TX2	O	LNA output
43	LNA-INN2	TX2	I	LNA negative input
44	LNA-INP2	TX2	I	LNA positive input

1. Pin directions: I = input pin, O = output pin, - = pin to connect to supply or decoupling capacitors or external components

Figure 2. Typical application schematics for stereo infrared transmitter



### 3 Electrical characteristics

**Table 4. Electrical characteristics for  $V_{CC} = 2.7V$ ,  $T_{amb} = 25^{\circ}C$ ,  $f_{audio} = 1kHz$ ,  $f_{carrier} = 2.8MHz$  (unless otherwise specified)**

Symbol	Parameter	Test conditions	Min.	Typ.	Max.	Unit
<b>Overall circuit</b>						
$I_{CC\_TOT}$	Current consumption TX1 and TX2 are on	TX1 on, TX2 on, MIC-BIAS1 and MIC-BIAS2 not used: VOX-MUTE=1 output buffers on VOX-MUTE=0, output buffers off		16 11	18.6 12.8	mA
$I_{CC\_SBY}$	Current consumption with TX2 in standby: SBY (pin5) active	TX1 on, TX2 off, MIC-BIAS1 and MIC-BIAS2 not used: VOX-MUTE=1, output buffers on VOX-MUTE=0, output buffers off		10 7	11.5 8	mA
<b>LNA sections (for TX1 and TX2)</b>						
$GBP_{LNA}$	Gain bandwidth product	No external load		7		MHz
$R_{inLNA}$	Input resistance on positive input: (LNA-INP1 pin 12 or LNA-INP2 pin 44)			30		k $\Omega$
$THD_{LNA}$	Total harmonic distortion	$G_{LNA} = 0dB$ $V_{outLNA} = 700mV_{pp}$		0.01	0.05	%
$E_n$	Equivalent input noise voltage	$G_{LNA}=40dB$ , at $f=1kHz$ $R_S = 390\Omega$ , $R_{feedback} = 39k\Omega$		6		nV/ $\sqrt{Hz}$
<b>Automatic level control (ALC) section</b>						
$G_{ALC}$	Voltage Gain			20		dB
$V_{ALC\_OUT}$	Regulated output level (at positive input of the PEA amplifier)		600	710	800	mVpp
<b>Pre-emphasis amplifier (PEA) section</b>						
$GBP_{PEA}$	Gain bandwidth product (PEA-OUT1 pin17 or PEA-OUT2 pin39)	No load		9		MHz
$V_{Opp-PEA}$	Output voltage	$R_L = 22k\Omega$		550		mVpp
<b>Audio LNA+ALC+PEA sections</b>						
$THD_{ALC}$	Total harmonic distortion in linear region on PEA-OUT1 pin17 or PEA-OUT2 pin 39	$G_{LNA} = 0 dB$ , $f = 1kHz$ $(V_{in})_{ALC} < 25mV_{rms}$ (-30dBu) $R_L = 22k\Omega$ tied to GND		0.05	0.15	%
$THD_{AGC}$	Total harmonic distortion in compression region	$(V_{in})_{ALC} = 36mV_{rms}$ (-27dBu) $(V_{in})_{ALC} = 100mV_{rms}$ (-18dBu) $R_L = 22 k\Omega$ tied to GND		1.3 3	1.7 4	%



**Table 4. Electrical characteristics for  $V_{CC} = 2.7V$ ,  $T_{amb} = 25^{\circ}C$ ,  $f_{audio} = 1kHz$ ,  $f_{carrier} = 2.8MHz$  (unless otherwise specified) (continued)**

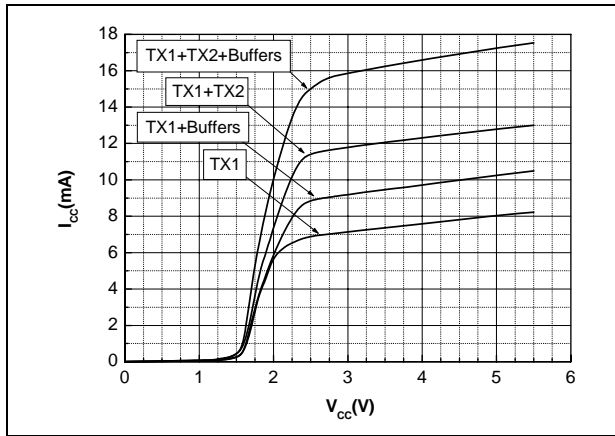
Symbol	Parameter	Test conditions	Min.	Typ.	Max.	Unit
$\Phi_{PEA}$	Phase margin at PEA-OUT1 pin 17 or PEA-OUT2 pin 39	$R_L = 22k\Omega$ LNA and PEA at unity gain $V_{in} = 40mV$		70		$^{\circ}$
<b>Microphone biasing section</b>						
$V_{MIC-BIAS}$	Microphone biasing voltage (Section 5.3 on page 21)	$I_{MIC-BIAS} = 2.5mA$	2.15	2.25	2.35	V
$\Delta V_{MIC-BIAS}$	$V_{MIC-BIAS}$ temperature coefficient	Over temp. range: [0, 70°C] [-40, 85°C] $I_{MIC-BIAS} = 2.5 mA$		260 460		ppm/°C
$I_{MIC-BIAS}$	MIC-BIAS current capability	over $V_{CC}$ range [2.3V-5.5V]	2.5			mA
$PSRR_{MIC-BIAS}$	Power supply rejection ratio of MIC-BIAS	@ 1kHz and $V_{ripple} = 25mV_{RMS}$		50		dB
$e_{nMIC-BIAS}$	Equivalent input noise of MIC-BIAS	$V_{CC} = 2.7V$ $V_{CC} = 5.0V$		22 42		nV/√Hz
<b>Vox operated switch (VOX) section</b>						
$I_{VOX-TIMER}$	Monostable current source (VOX-TIMER pin 29)	$V_{CC} = 2.7V$		5		μA
$V_{TH_{VOX-TIMER}}$	Threshold voltage of the Monostable (time constant)			1.4		V
$V_{MUTE\_L}$	Low level output voltage (VOX-MUTE Pin27)	$R_L = 2k\Omega$			0.2	V
$V_{MUTE\_H}$	High level output voltage (VOX-MUTE Pin27)	$R_L = 2k\Omega$	$V_{CC}-0.3$			V
<b>Standby</b>						
$V_{SBY\_IL\ max.}$	Max. low level input voltage of standby input (SBY Pin5)			$0.1 \times V_C$		V
$V_{SBY\_IH\ min.}$	Min. high level input voltage of standby input (SBY Pin5)			$0.9 \times V_C$		V
<b>VCO section</b>						
$V_{VCO-BIAS}$	VCO-BIAS output voltage (VCO-BIAS1 pin18 or VCO-BIAS2 pin 38)	With no load	1.43	1.47	1.51	$V_{DC}$
$I_{VCO-BIAS}$	VCO-BIAS output current capability	$V_{VCO-BIAS} > 1.38V$		40		μA
$\delta V_{VCO-BIAS}$	VCO-BIAS voltage drift	$2.3V < V_{CC} < 5.5V$ [0, 70°C] $V_{CC} = 2.7V$ [0, 70°C] $V_{CC} = 5.0V$ [-40, 85°C] $V_{CC} = 2.7V$ [-40, 85°C] $V_{CC} = 5.0V$		8 +265 +356 +265 +356		mV/V ppm/°C ppm/°C ppm/°C ppm/°C

**Table 4. Electrical characteristics for  $V_{CC} = 2.7V$ ,  $T_{amb} = 25^{\circ}C$ ,  $f_{audio} = 1kHz$ ,  $f_{carrier} = 2.8MHz$  (unless otherwise specified) (continued)**

Symbol	Parameter	Test conditions	Min.	Typ.	Max.	Unit
$PN_{LO}$	Phase noise	@ 1kHz, L = 120 $\mu$ H (Q=30) and $R_{VCO}$ not connected		-80		dBc
$SVR_{VCO-BIAS}$	Supply voltage rejection ratio of VCO-BIAS	With no load		43		dB
$Z_{VCO-OUT}$	VCO output impedance (VCO-OUT1 pin 22 or VCO-OUT2 pin34)			400		$\Omega$
$Z_{L_{VCO-OUT}min.}$	Minimum load impedance			1		k $\Omega$
$V_{VCO-OUT}$	VCO output level	L = 120 $\mu$ H (Q=30) VCO output connected to output buffer input $R_{VCO} = 100k\Omega$	0.58	0.62	0.66	Vpp
<b>Output buffer</b>						
$Z_{BUF-IN}$	Input impedance (BUF-IN1 pin24 or BUF-IN2 pin32)			400		k $\Omega$
$G_{OB}$	Linear voltage gain			10		dB
$V_{BUF-OUT AC}$	Output AC voltage at 1dB compression point	$Z_L = 2k\Omega$		1.3		Vpp
	Output AC voltage (BUF-OUT1 pin 25 or BUF-OUT2 pin 31)	$Z_L = 2k\Omega$ $V_{BUF-IN} = 0.60V_{pp}$	1.35	1.5	1.7	
$V_{BUF-OUT DC}$	Output DC voltage	DC output current = 0.4 mA		1.25		$V_{DC}$
$H2_{BUF-OUT}$	2nd harmonic level	$V_{BUF-OUT} = 1.2V_{pp}$ and $Z_L = 2k\Omega$		-40		dBc
$H3_{BUF-OUT}$	3rd harmonic level	$V_{BUF-OUT} = 1.2V_{pp}$ and $Z_L = 2k\Omega$		-30		dBc

### Supply section

Figure 3. Supply current vs. supply voltage



### Audio section

Figure 4. LNA distortion vs. frequency

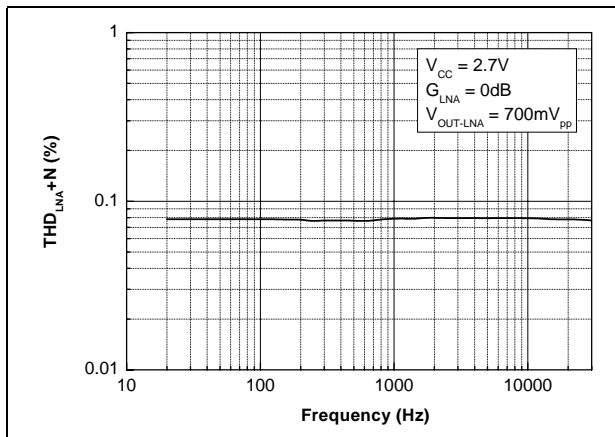


Figure 5. LNA distortion vs. LNA output voltage

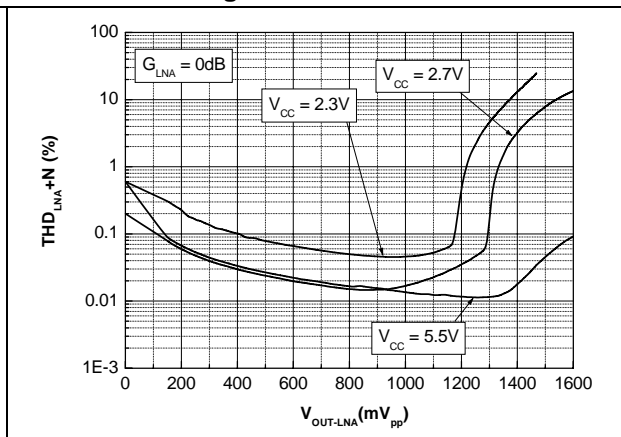


Figure 6. Supply current vs. temperature

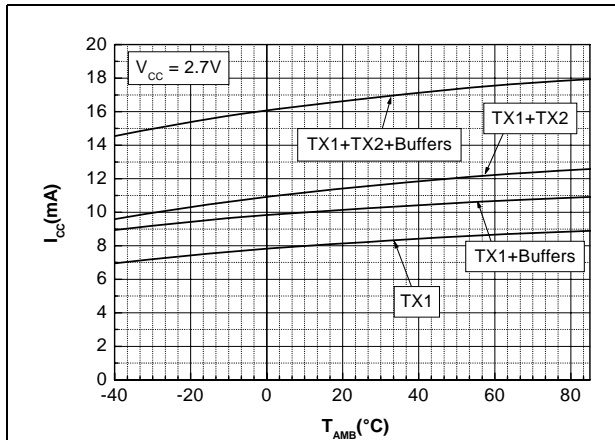


Figure 7. LNA distortion vs. frequency

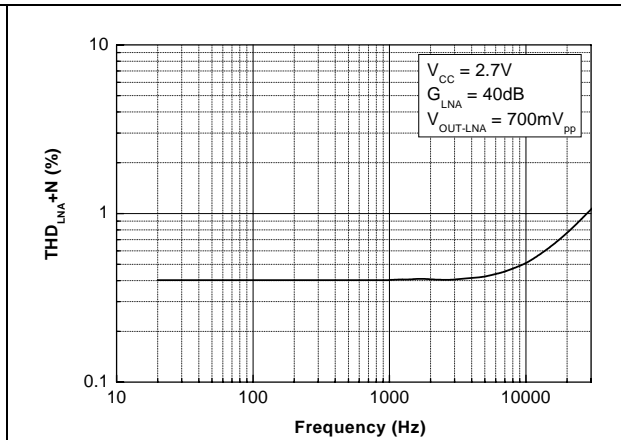


Figure 8. PEA output voltage vs. LNA input voltage

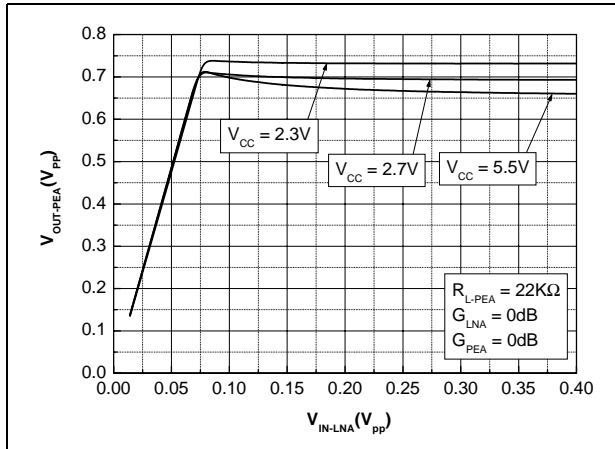


Figure 9. PEA output voltage vs. temperature

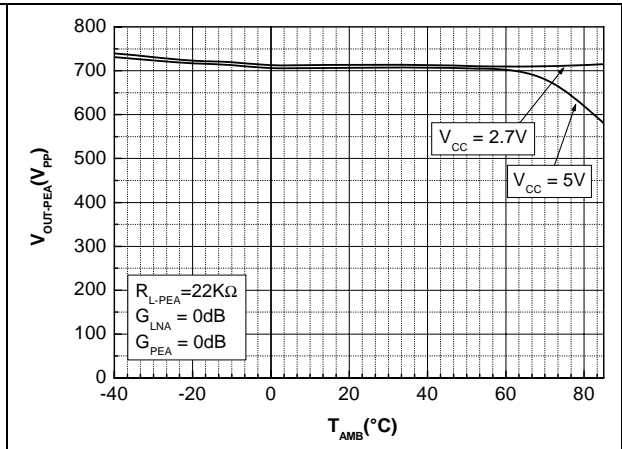


Figure 10. PEA output voltage vs. resistor load

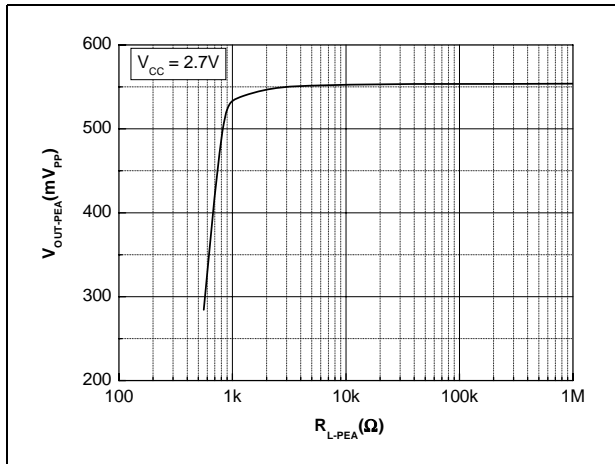


Figure 11. MIC-BIAS output voltage vs. supply voltage

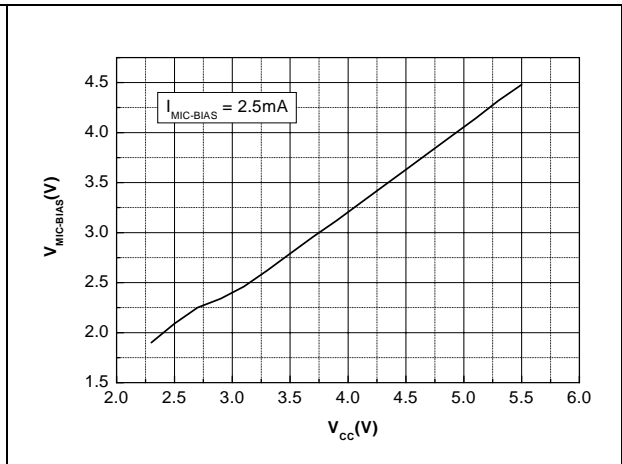


Figure 12. MIC-BIAS voltage vs. MIC-BIAS current

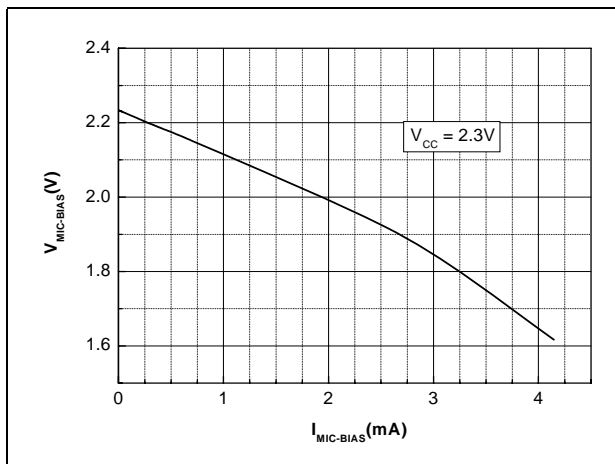


Figure 13. LNA+ALC+PEA distortion vs. input voltage

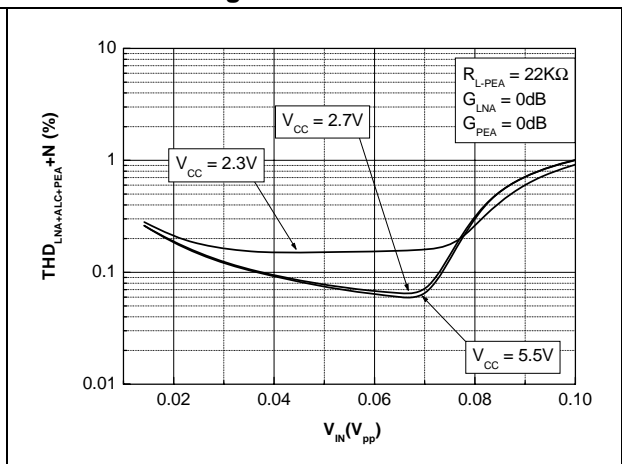


Figure 14. MIC-BIAS output voltage vs. temperature

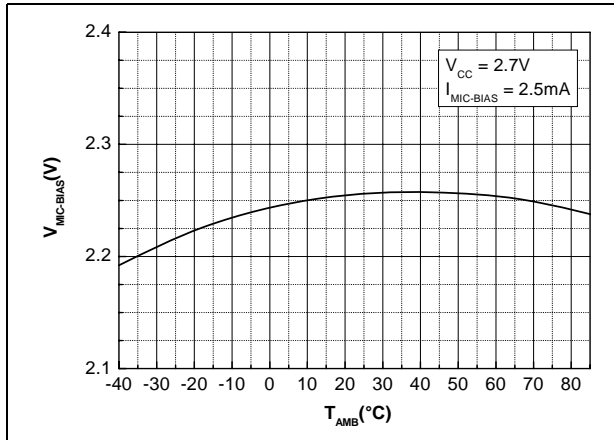
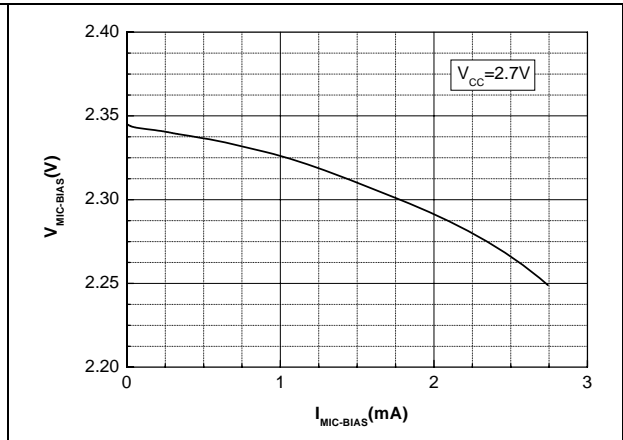


Figure 15. MIC-BIAS voltage vs. MIC-BIAS current



RF section

Figure 16. VCO output voltage vs. R<sub>VCO</sub>

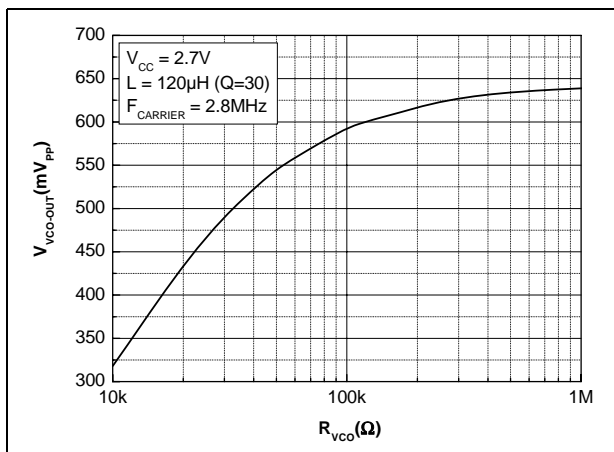


Figure 17. VCO-BIAS voltage vs. VCO-BIAS current

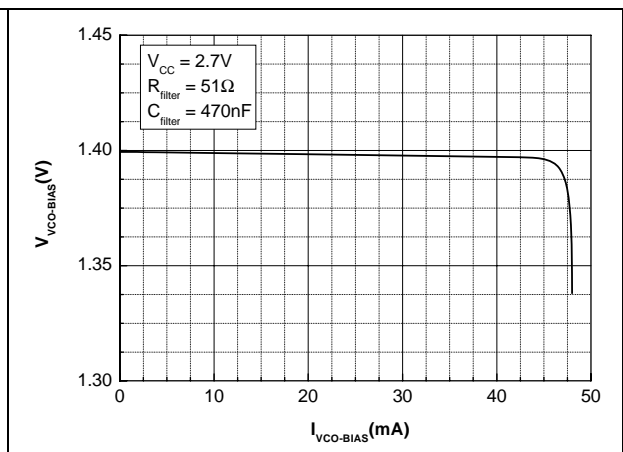


Figure 18. VCO & output buffer spectrum

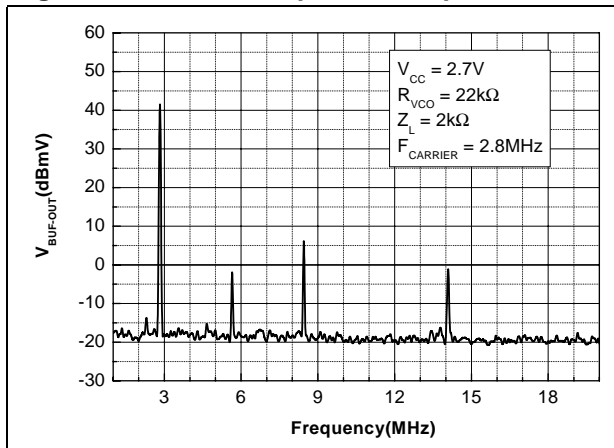


Figure 19. VCO-BIAS voltage vs. temperature

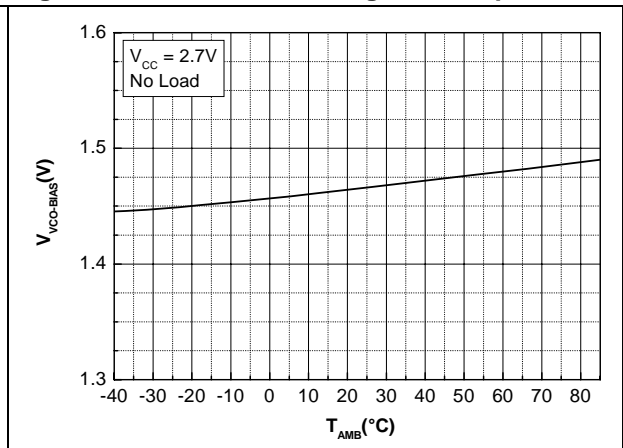
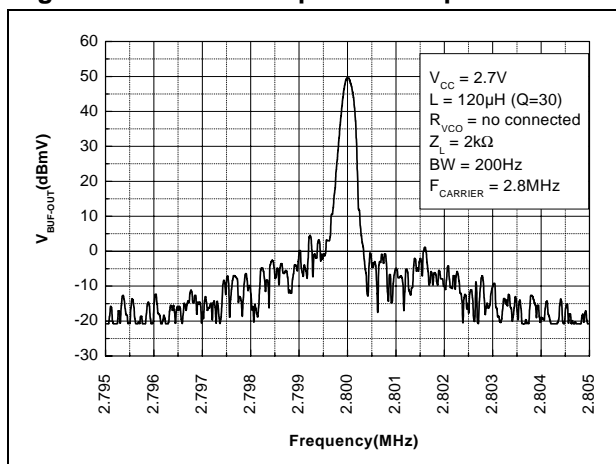


Figure 20. VCO & output buffer spectrum



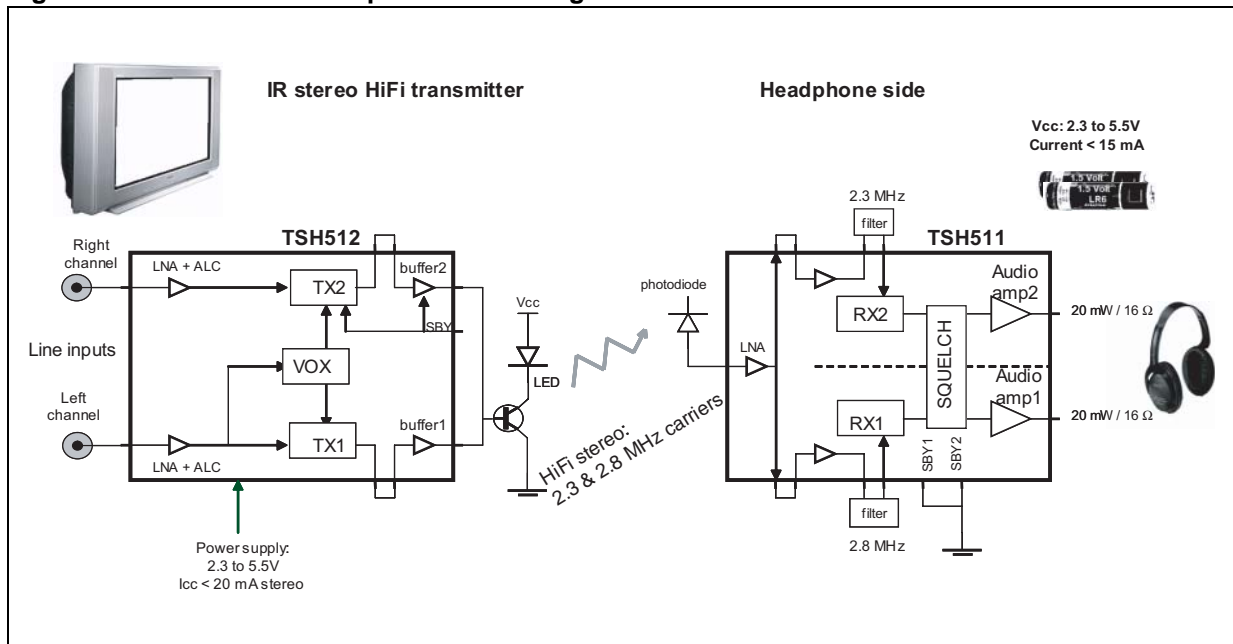
## 4 Application information

This section gives application information for some typical applications.

### 4.1 Infrared stereo transmitter application (stereo headphones)

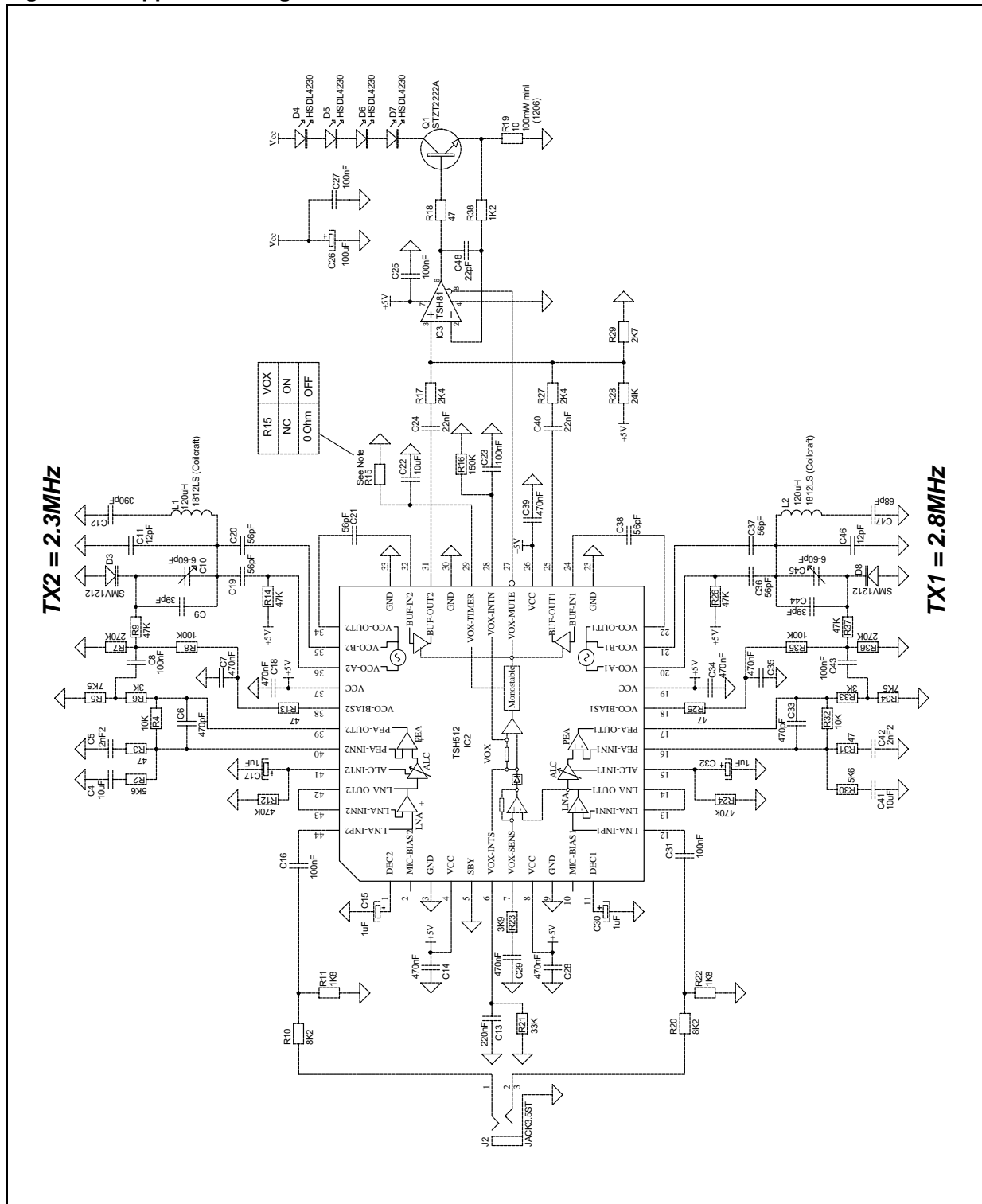
In this application, shown in [Figure 21](#), the hi-fi stereo audio is amplified and level regulated by ALC. The carrier of each transmitter TX1 or TX2 of the TSH512 is modulated in FM and buffered to attack the LED final stage.

Figure 21. Hi-fi stereo headphone block diagram



The audio signals are transmitted on the left and the right channels using 2.8 & 2.3MHz carriers. The VOX activates the TX1 transmitter when the audio signal is present (see [Figure 22](#)).

Figure 22. Application diagram

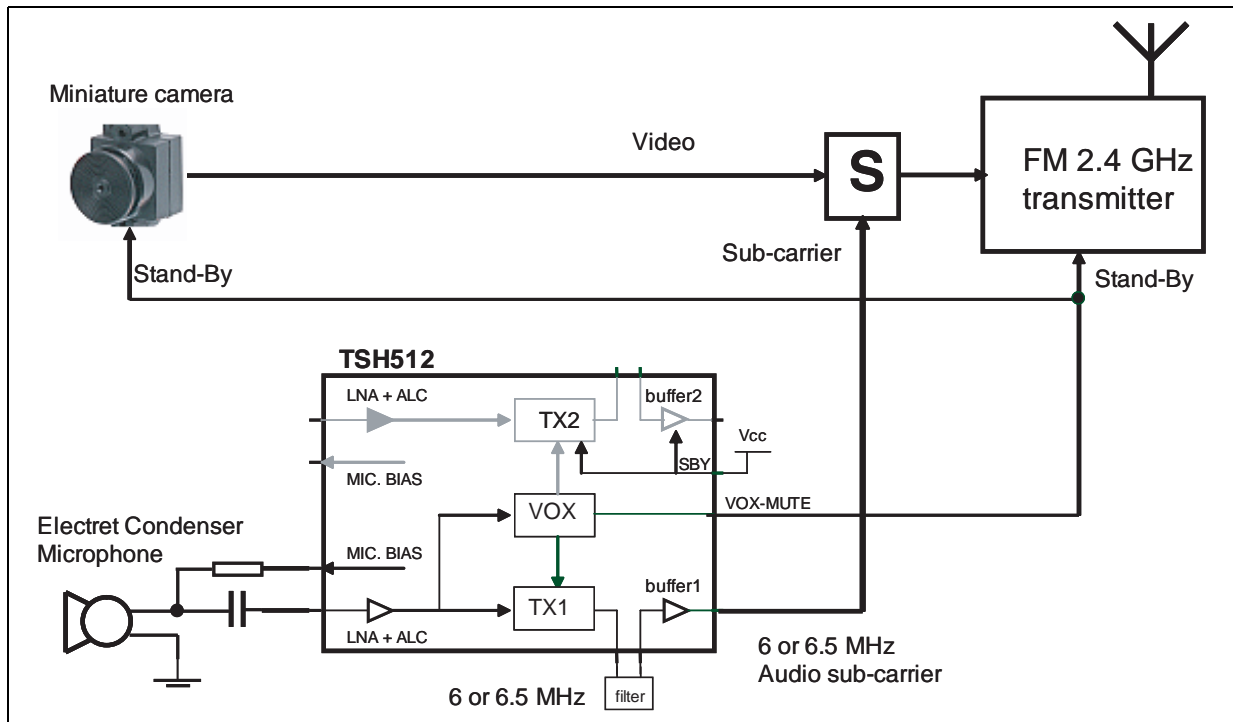




## 4.2 Sub-carrier generator application: voice-operated wireless camera

Thanks to its operating frequency, the TSH512 offers the possibility of generating usual audio sub-carriers for video applications (Figure 23). The camera can be voice-activated using the VOX-MUTE output of the TSH512. The TSH512 also provides bias, amplification, ALC for the electret microphone.

Figure 23. Typical block diagram for audio sub-carrier generator

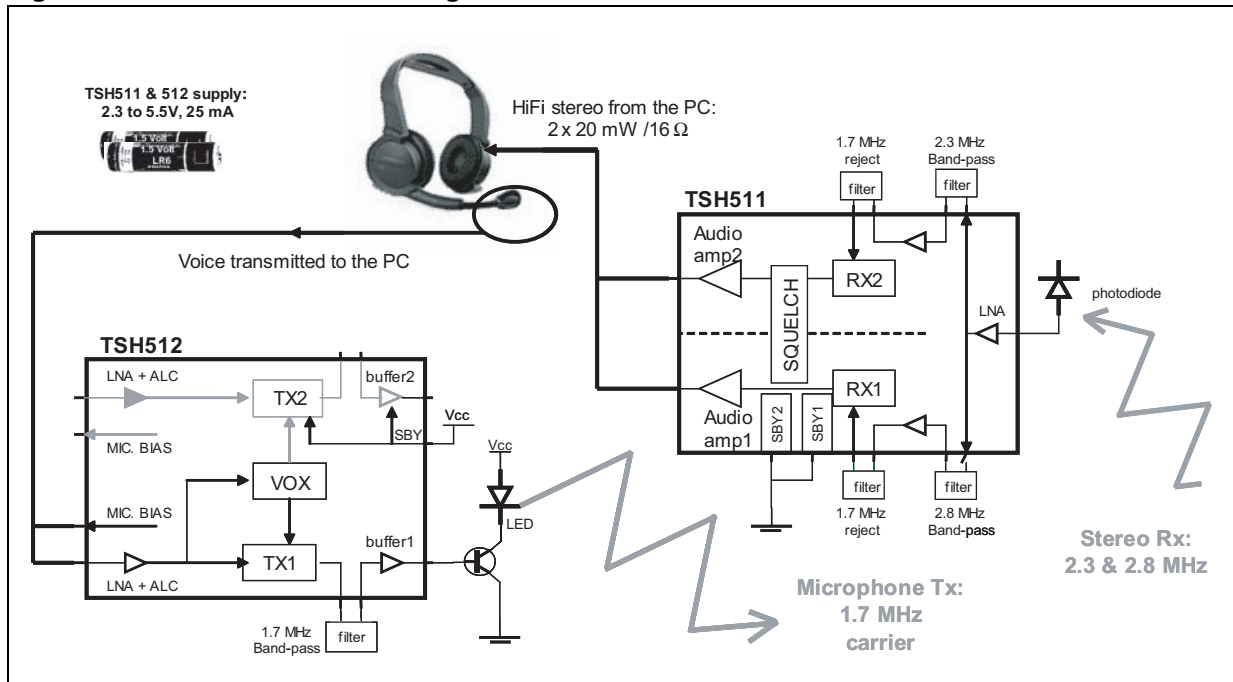


## 4.3 Multimedia application

### 4.3.1 Headset side

The TSH512 is used in mono to transmit the signal of the electret condenser microphone of the headset. The circuit is supplied by batteries and the VOX function switches off the output stages to save energy. The usual working frequency is 1.7MHz for infrared mono operation.

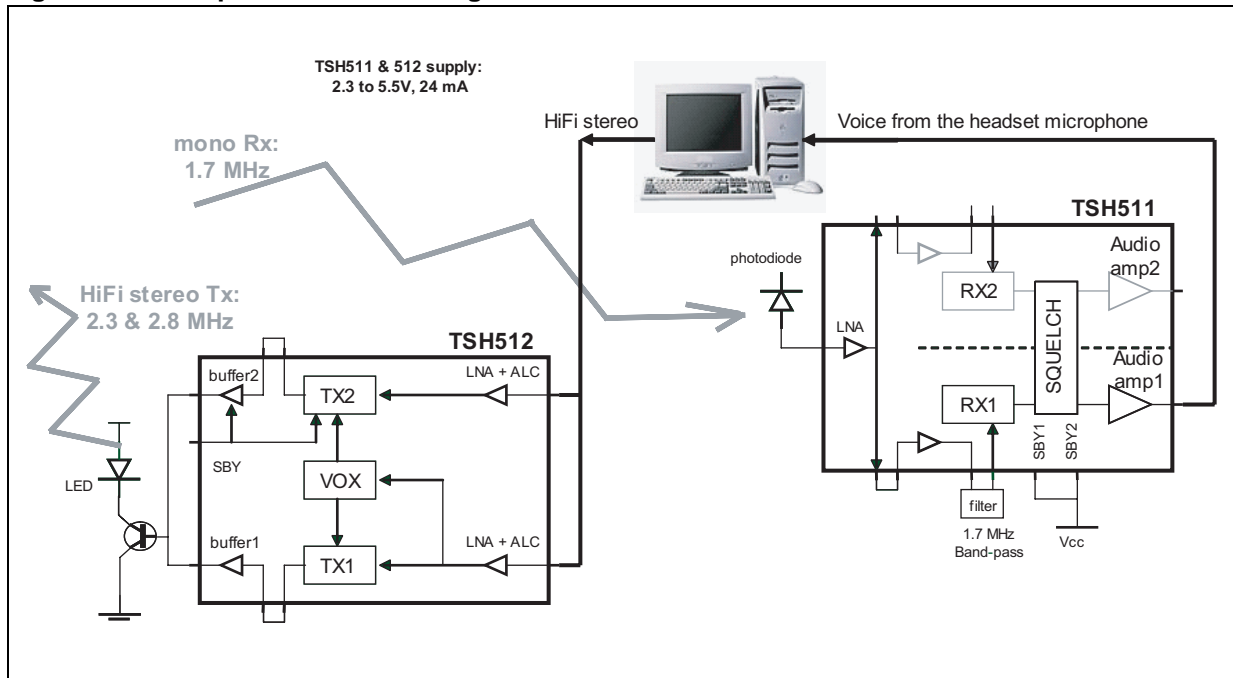
Figure 24. Headset side block diagram



### 4.3.2 Computer side

In multimedia applications, the TSH512 transmits the hi-fi stereo from the PC to the headset.

Figure 25. Computer side block diagram



## 5 General description

The TSH512 is a 0.4 to 11MHz dual FM analog transmitter. This circuit offers the functions needed for an advanced infrared STEREO transmitter. The access pins for each section allow high versatility and therefore a lot of applications: mono infrared transmitter, stereo transmitter, mono/stereo sub-carrier generator for video transmissions (for example the popular 2.4GHz video links). The block diagram for the TSH512 is shown in [Figure 1 on page 4](#).

Each audio input is amplified with a **low noise amplifier** (LNA section) allowing connection to line level sources or directly to a microphone. Built-in MIC BIAS voltage references provide bias for electret condenser microphones (ECM) with a high power supply rejection ratio.

Each audio path also includes an **automatic level control** (ALC) to limit the over modulation and the distortion on very high signal amplitudes. The following operational amplifier (PEA) allows a pre-emphasis transfer function before modulating the varicap diode.

Built-in voltage references (VCO-BIAS) offer a regulated voltage to bias the varicap diodes. The **voltage controlled oscillator** (VCO) is an integrated oscillator giving typically 600mV peak to peak at 2.8MHz.

The **output buffer** section linearly amplifies the FM carrier to provide a sinusoidal output. This sinusoidal signal reduces the inter-modulation products between the carriers, specially in two-way or in multi-carrier systems (see [Section 4: Application information on page 15](#)).

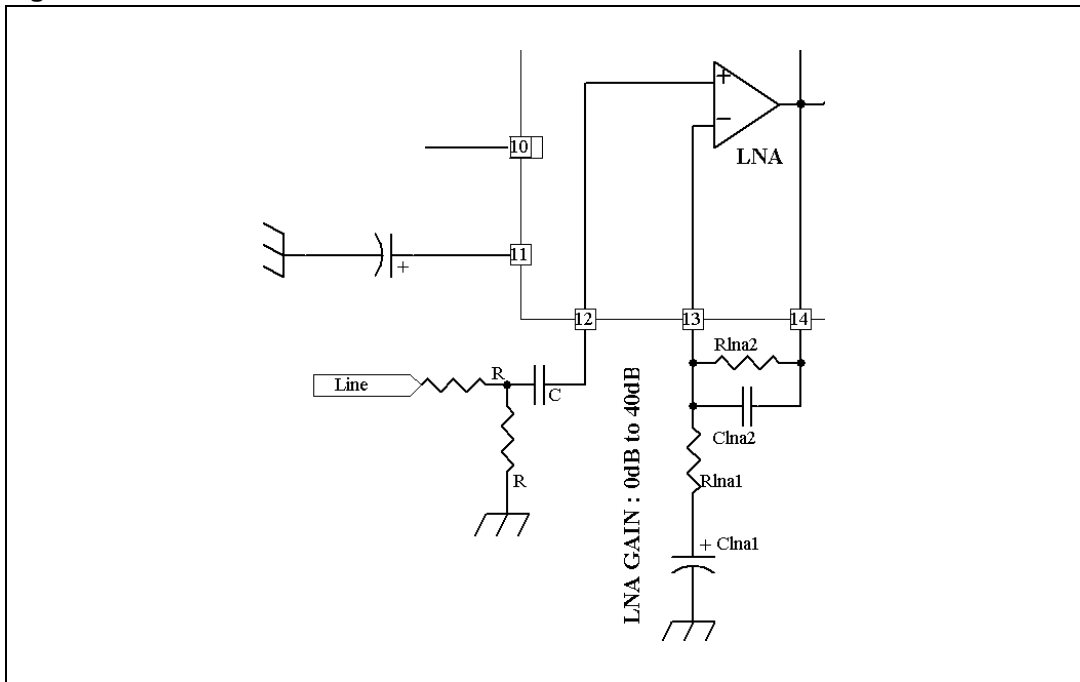
The **voice operated transmit** (VOX) function automatically detects when an audio signal appears over the background noise.

The standby of the second transmitter reduces consumption in mono operation.

### 5.1 LNA section: low noise amplifier

For each transmitter, the audio source is connected to the LNA. The LNA stage is a low noise operational amplifier typically usable with a gain from 0dB to 40dB.

Figure 26. LNA schematics



The LNA gain is given by:

$$G_{LNA} \text{ (dB)} = 20 \cdot \text{Log}(1 + R_{LNA2}/R_{LNA1})$$

The High-pass cut-off frequency is:

$$f_{HPF} = 1/(2 \cdot \pi \cdot R_{LNA1} \cdot C_{LNA1})$$

The Lowpass filter cut-off frequency is:

$$f_{LPF} = 1/(2 \cdot \pi \cdot R_{LNA2} \cdot C_{LNA2})$$

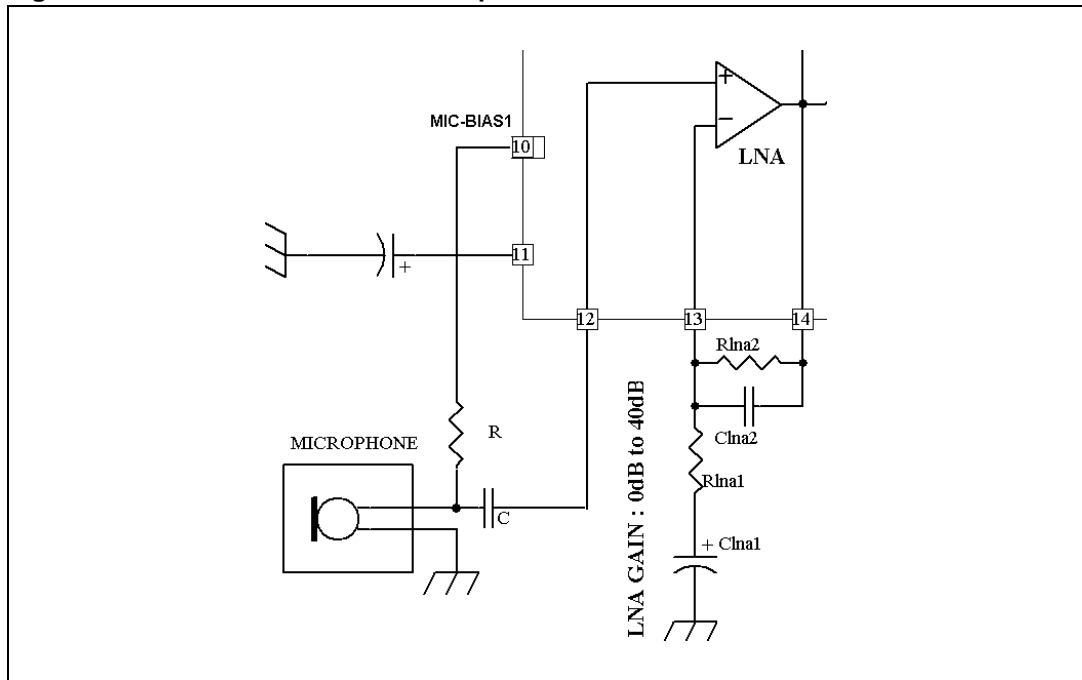
If you connect an external circuit to the LNA output, the impedance of this external circuit should be higher than 10mΩ and the capacitance lower than 50pF in order to keep a good stability.

*Note:* The capacitor C must be connected directly to input pin 12.

## 5.2 Electret condenser microphone source

When an electret condenser microphone (ECM) is used, a high gain LNA is recommended, but low frequencies have to be attenuated. The ECM must be biased with a stable and clean reference voltage. The TSH512 offers you the LNA and the MIC-BIAS sections to perform this functions (see [Section 5.3. MIC-BIAS section: microphone bias voltage](#)).

Figure 27. Electret condenser microphone source



The capacitor C in series with the microphone stops the DC coming from MIC-BIAS.

The resistor R provides the DC from MIC-BIAS to supply the ECM.

Thanks to the ALC (Automatic Level control), the great variations of amplitude will not over-modulate the transmitter (refer to the chapter on ALC).

The self-adaptive VOX (Voice Operated Transmit) offers an automatic transmitting with a good discrimination of the background noise (see [Section 5.5: VOX description: voice operated transmit on page 22](#)).

### 5.3 MIC-BIAS section: microphone bias voltage

The MIC-BIAS bias voltages are dedicated to the bias of Electret Condenser Microphones. These bias voltages on pin 10 for TX1 and pin 2 for TX2, exhibit a low voltage noise density of  $22\text{nV}/\sqrt{\text{Hz}}$ . This allows more than 55dB S/N considering a bandwidth of 7kHz (see [Figure 27](#)).

The MIC-BIAS voltage is related with VCC as follow (with  $I_{\text{MIC-BIAS}} = 2.5\text{mA}$ ):

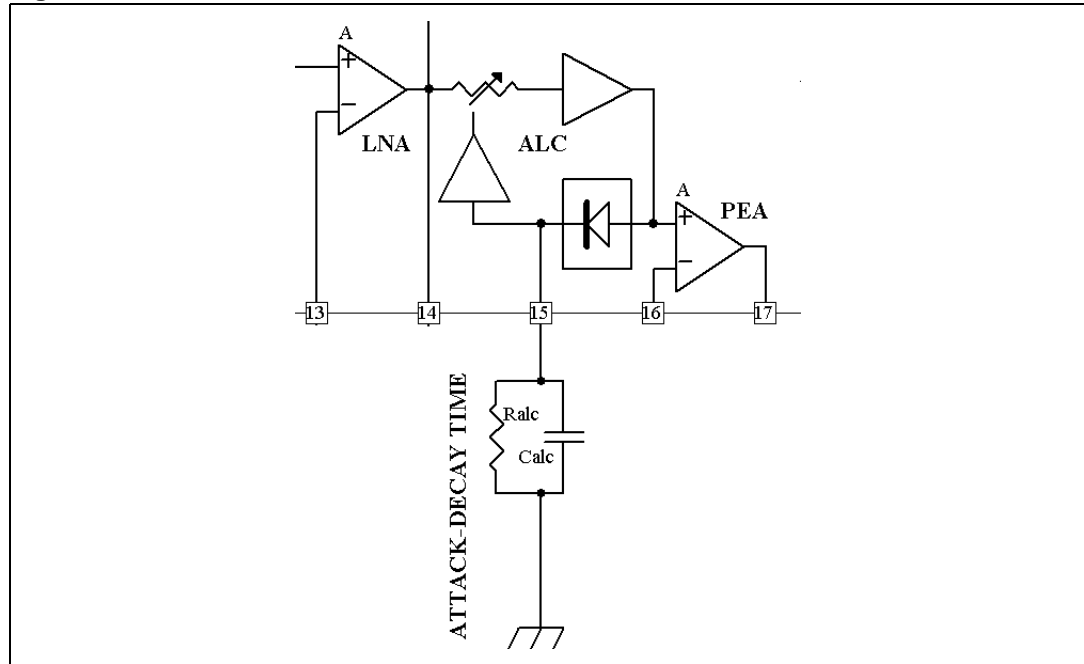
$$V_{\text{MIC-BIAS}} = 0.844 \cdot V_{\text{CC}} - 0.140 \text{ (Volts)}$$

Moreover, the supply rejection ratio is guaranteed to be better than 50dB without any decoupling capacitor. To address biasing of most of the microphones, the current drive capability is 2.5mA. The MIC-BIAS voltage depends linearly on the supply voltage  $V_{\text{CC}}$  (refer to [Figure 11 on page 12](#)).

### 5.4 ALC section: automatic level control

Both transmitters of the TSH512 include Automatic Level Control (ALC). When the level of the audio signal is too high, the ALC compresses the signal in order to avoid over-modulation of the FM VCO. In this way, the ALC reduces the distortion and maintains a reduced transmit spectrum with very high-amplitude signals.

**Figure 28. Automatic level control schematics**



The ALC features a 20dB gain and an output signal regulated to 700 mVpp in compression.

The attack time is the response time of the ALC to go from the linear amplification to the compression region. The attack time mainly depends on C<sub>ALC</sub> capacitor value. A typical value of C<sub>ALC</sub> is 1µF with music as the audio signal (refer to [Figure 22 on page 16](#)).

The decay time is the response time the ALC requires to recover to full gain amplifying mode after being in compression mode. The decay time depends mainly on the R<sub>ALC</sub> resistor value. A typical value of R<sub>ALC</sub> is 470kΩ with music as audio signal (refer to [Figure 22 on page 16](#)).

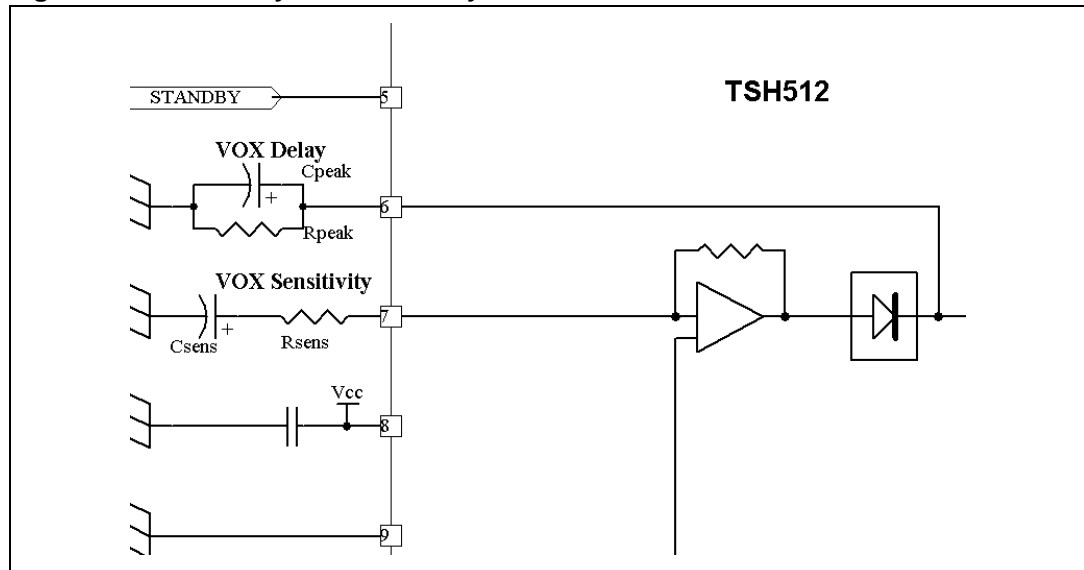
### 5.5 VOX description: voice operated transmit

The Voice Operated Transmit section (VOX) reduces consumption when there is no audio signal to transmit. When the VOX detects that no audio signal is present, it mutes the Output Buffers of TX1 and TX2 and provides the logic signal VOX-MUTE to switch-off external LED drivers if needed.

The audio signal of TX1 is amplified with a gain dependent on the values of R<sub>sens</sub> and C<sub>sens</sub>. R<sub>sens</sub> and C<sub>sens</sub> are connected to pin 7. The high-pass filtering has the following cut-off frequency:

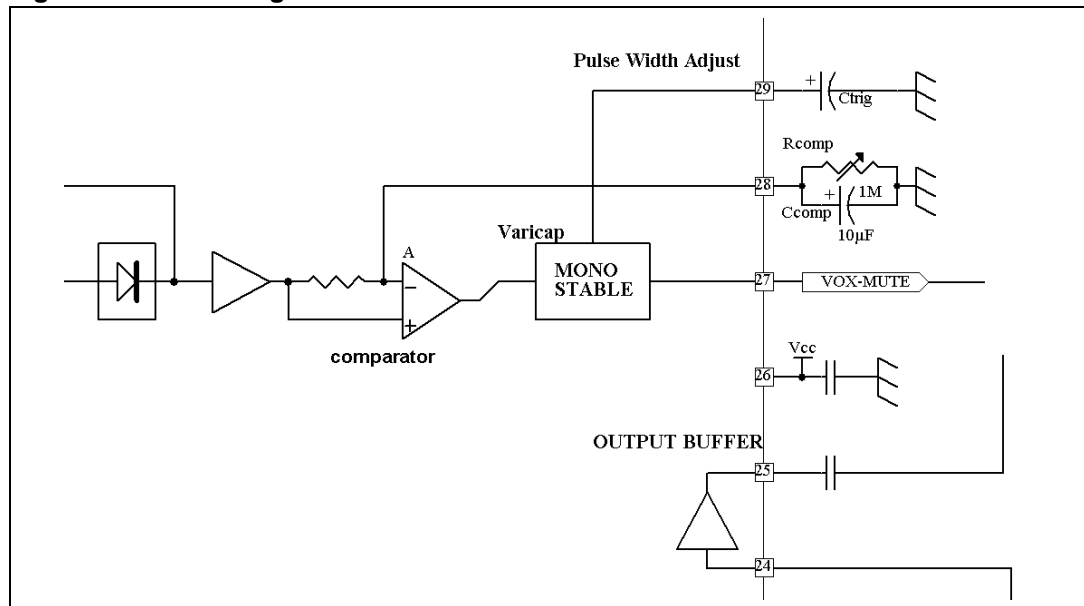
$$f_{HPF} = \frac{1}{2\pi(R_{sens} \cdot C_{sens})}$$

Figure 29. VOX delay and sensitivity schematics



On pin 6,  $R_{peak}$  and  $C_{peak}$  integrate the rectified audio signal with a short time constant. This filtered signal follows the audio amplitude.

Figure 30. VOX integrator and monostable schematics



The self-adaptive VOX threshold is necessary because the ambient background noise variation is slow compared to the voice or the music. On the pin 28,  $R_{COMP}$  and  $C_{COMP}$  integrates the amplitude to follow the background amplitude. Therefore, the comparator switches when an audio signal appears over the background noise. Referring to [Figure 2](#),  $C_{COMP}$  will be typically a 100nF capacitor and  $R_{COMP}$  will be determined depending on the audio signal.

As soon as an audio signal is detected, the output of the monostable switches to 'high' state and enables both output buffers. The output of the monostable is the pin 27 and is called VOX-MUTE.

The monostable holds the TSH512 in transmit mode during a delay fixed by the value of  $C_{TRIG}$  connected to pin 29.

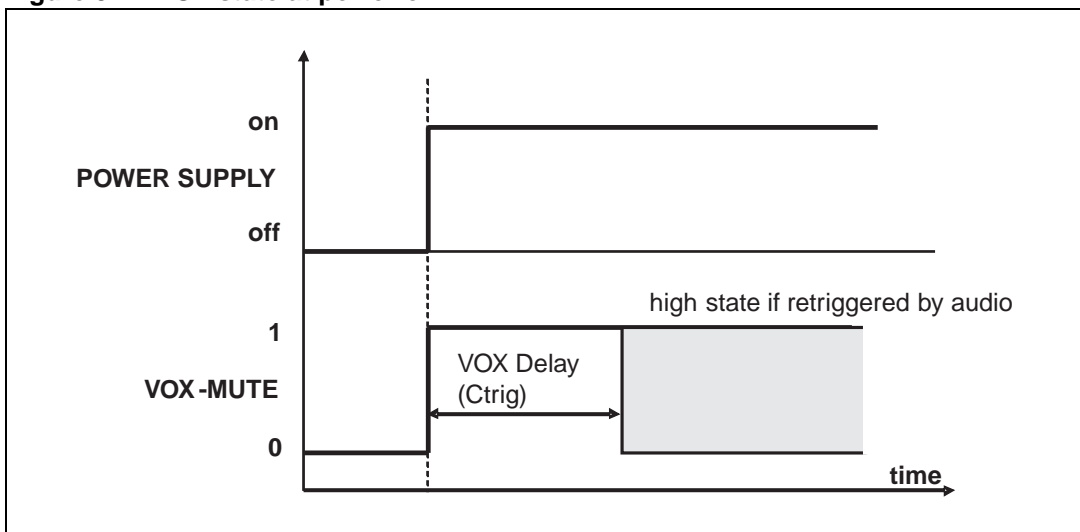
$$VOX_{DELAY} = \left(\frac{1.4V}{5\mu A}\right) \cdot C_{trig}$$

Note that the VOX function is activated when the audio signal enters the first transmitter TX1.

When the application needs a permanent transmission, it is possible to inhibit the VOX function. Just remove the Ctrig capacitor and connect pin 29 to ground.

As soon as the TSH512 is powered-on, the internal reset circuitry sets the VOX-MUTE to high state to enable transmission. The transmission remains during the monostable timing and continues if an audio signal triggers the monostable.

**Figure 31. VOX state at power-on**

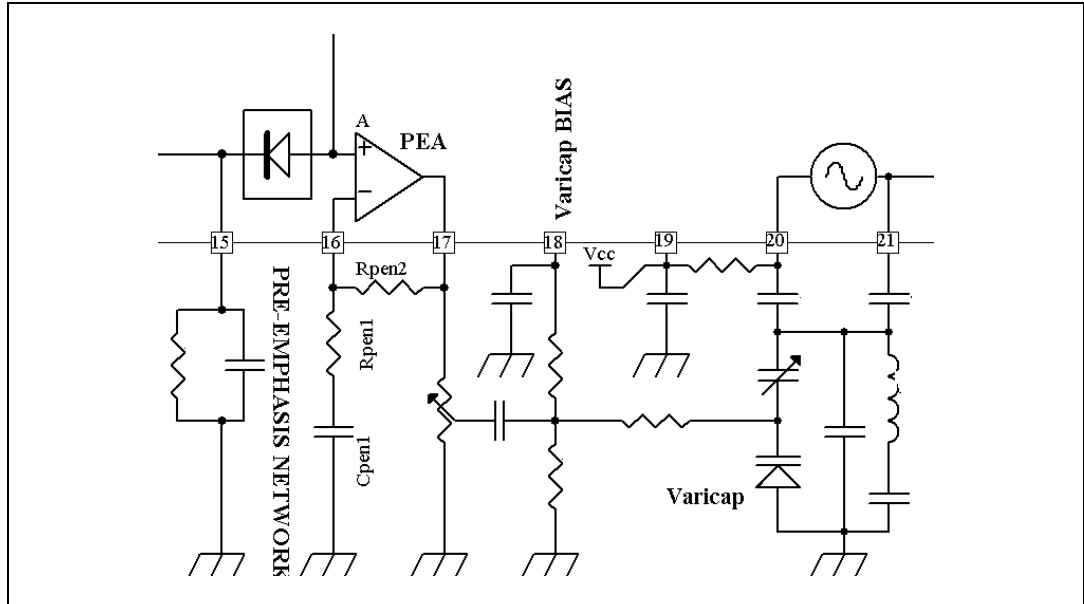




## 5.6 PEA section: pre-emphasis

The amplitude-regulated audio coming from the ALC feeds the positive input of the operational amplifier called PEA (pre-emphasis). The pre-emphasis consists in a high-pass filter in order to compensate the behavior of the FM transmission.

**Figure 32. Pre-emphasis schematics**



$R_{PEA1}$  and  $C_{PEA1}$  set the time constant of the pre-emphasis as:

$$\tau = R_{PEA1} \cdot C_{PEA1}$$

50  $\mu$ s or 75 $\mu$ s time constants are generally used.

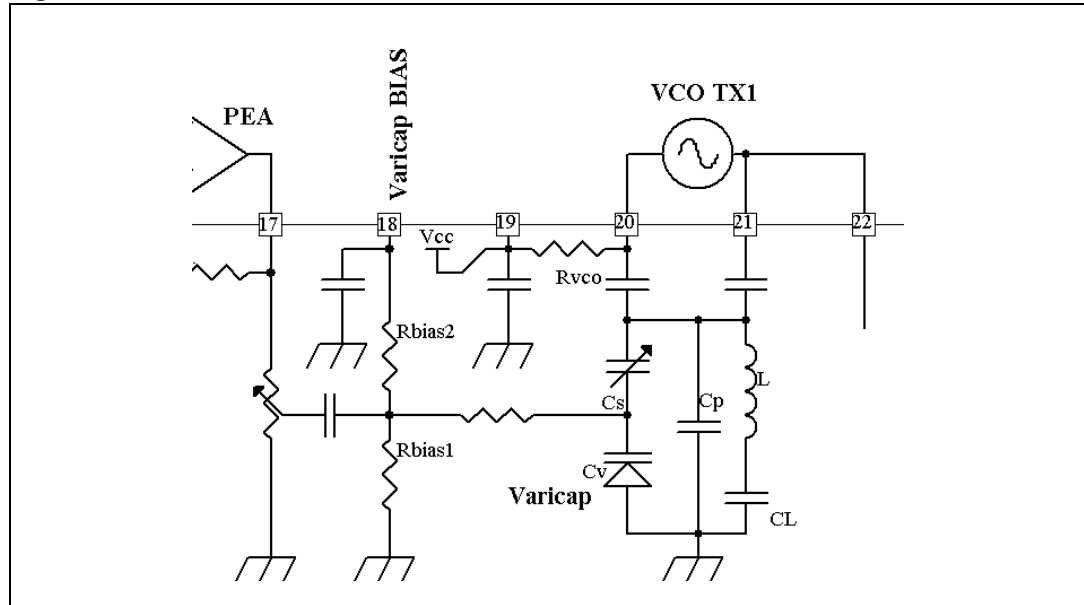
Choosing the gain of the PEA stage also allows one to set the right modulation level to the varicap diode. The gain in the pass-band is:

$$G_{PEA} = 1 + (R_{PEA2}/R_{PEA1})$$

### 5.7 VCO section: voltage controlled oscillator

Each TSH512 transmitter has its own oscillator to generate the carrier. The audio signal is applied to the varicap diode to perform the frequency modulation. Thanks to the VCO-BIAS voltage reference, the DC bias of the varicap is stabilized. The high PSRR (Power Supply Rejection ratio) of the VCO-BIAS ensures good immunity with the noise of the power supply.

Figure 33. VCO schematics



The generated frequency can be set from 400 kHz to 11 MHz by external components. Refer to the table 1 for the usual frequencies in Infrared audio.

The working frequency is:

$$f_{VCO} = \frac{1}{2\pi\sqrt{L \cdot C_t}}$$

where  $C_t$  is the total capacity of  $C_L$ ,  $C_p$ ,  $C_s$  and  $C_v$ :

$$C_t = 1/(1/C_c + 1/C_L) \text{ with } C_c = C_p + 1/(1/C_v + 1/C_s)$$

It's possible to use varicap diodes SMV1212 (Alpha Ind.) or ZC833 (Zetex).

Table 5. Usual infrared frequencies

IR frequency in MHz	Applications
1.6	AM mono
1.7	FM mono
2.3	FM right channel
2.8	FM left channel or mono

The output level of the VCO can be reduced by adding the resistor RVCO between pin 19 and pin 20 or between pin 36 and pin 37 for TX1 and TX2 respectively.

## 5.8 Output buffer section

The output buffers are able to deliver a sinusoidal signal with  $1.5V_{pp}$  amplitude in a  $1k\Omega$  load. This impedance is compatible with popular biasing circuitry of external transistor drivers of IR LEDs.

The VOX-MUTE logic signal can be used to control the external LED drivers. When the audio is not present on the TX1 input, VOX-MUTE is in Low state, the TSH512's internal buffers are muted, and external drivers can be switched off by controlling their bias.

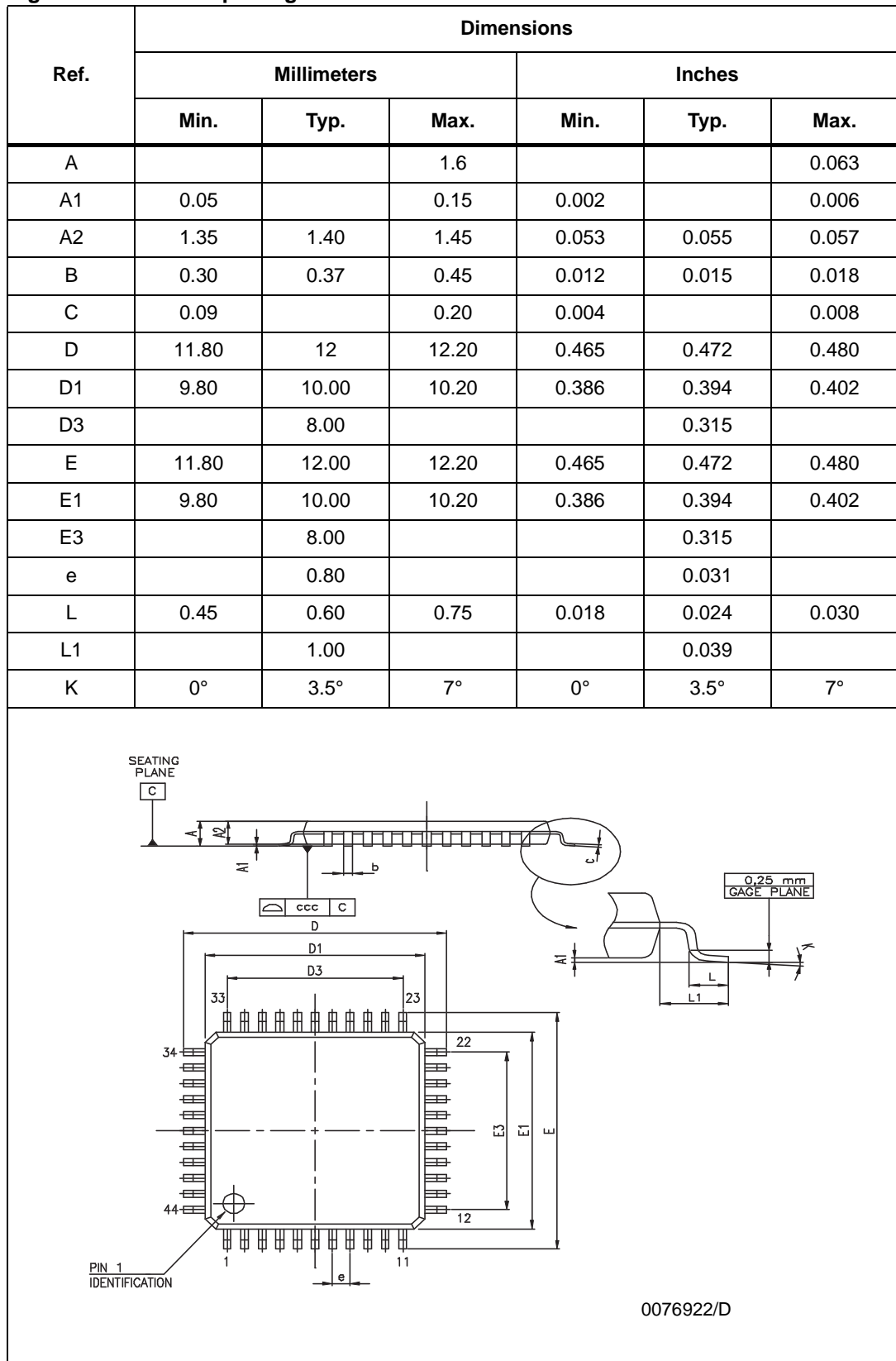
## 5.9 SBY pin: standby for mono operation

A high state on the Standby pin (SBY) sets the second transmitter TX2 in power-down. The SBY pin is typically used when the TSH512 is used as a mono transmitter (i.e. infrared microphone transmitter).

## 6 Package information

In order to meet environmental requirements, ST offers these devices in ECOPACK® packages. These packages have a lead-free second level interconnect. The category of second level interconnect is marked on the package and on the inner box label, in compliance with JEDEC Standard JESD97. The maximum ratings related to soldering conditions are also marked on the inner box label. ECOPACK is an ST trademark. ECOPACK specifications are available at: [www.st.com](http://www.st.com).

Figure 34. TQFP44 package mechanical data



## 7 Ordering information

**Table 6. Order codes**

Part number	Temperature range	Package	Packing	Marking
TSH512CF	-40°C to +85°C	TQFP44	Tray	TSH512C
TSH512CFT			Tape & reel	
TSH512CYFT <sup>(1)</sup>		TQFP44 (Automotive grade level)	Tape & reel	TSH512CYF

1. Qualification and characterization according to AEC Q100 and Q003 or equivalent, advanced screening according to AEC Q001 & Q 002 or equivalent are on-going.

## 8 Revision history

**Table 7. Document revision history**

Date	Revision	Changes
8-Aug-2001	1	First release corresponding to preliminary data version of datasheet.
9-Sep-2001	2	Datasheet updated for Maturity 30: – ESD sensitive device sentence added – 4 curves updated – Electrical parameters updated
1-Dec-2003	3	Specific content changes as follows: – Application diagrams updated – Releases on curves – Application schematic diagram update – Electrical parameters updated
1-Dec-2003	3	Specific content changes as follows: – Application diagrams updated – Releases on curves – Application schematic diagram update – Electrical parameters updated
14-Oct- 2005	5	PPAP reference inserted in the datasheet, see order codes table.
13-Nov-2007	6	Document reformatted with minor text changes. Added footnote for automotive grade order codes to order codes table.

**Please Read Carefully:**

Information in this document is provided solely in connection with ST products. STMicroelectronics NV and its subsidiaries ("ST") reserve the right to make changes, corrections, modifications or improvements, to this document, and the products and services described herein at any time, without notice.

All ST products are sold pursuant to ST's terms and conditions of sale.

Purchasers are solely responsible for the choice, selection and use of the ST products and services described herein, and ST assumes no liability whatsoever relating to the choice, selection or use of the ST products and services described herein.

No license, express or implied, by estoppel or otherwise, to any intellectual property rights is granted under this document. If any part of this document refers to any third party products or services it shall not be deemed a license grant by ST for the use of such third party products or services, or any intellectual property contained therein or considered as a warranty covering the use in any manner whatsoever of such third party products or services or any intellectual property contained therein.

**UNLESS OTHERWISE SET FORTH IN ST'S TERMS AND CONDITIONS OF SALE ST DISCLAIMS ANY EXPRESS OR IMPLIED WARRANTY WITH RESPECT TO THE USE AND/OR SALE OF ST PRODUCTS INCLUDING WITHOUT LIMITATION IMPLIED WARRANTIES OF MERCHANTABILITY, FITNESS FOR A PARTICULAR PURPOSE (AND THEIR EQUIVALENTS UNDER THE LAWS OF ANY JURISDICTION), OR INFRINGEMENT OF ANY PATENT, COPYRIGHT OR OTHER INTELLECTUAL PROPERTY RIGHT.**

**UNLESS EXPRESSLY APPROVED IN WRITING BY AN AUTHORIZED ST REPRESENTATIVE, ST PRODUCTS ARE NOT RECOMMENDED, AUTHORIZED OR WARRANTED FOR USE IN MILITARY, AIR CRAFT, SPACE, LIFE SAVING, OR LIFE SUSTAINING APPLICATIONS, NOR IN PRODUCTS OR SYSTEMS WHERE FAILURE OR MALFUNCTION MAY RESULT IN PERSONAL INJURY, DEATH, OR SEVERE PROPERTY OR ENVIRONMENTAL DAMAGE. ST PRODUCTS WHICH ARE NOT SPECIFIED AS "AUTOMOTIVE GRADE" MAY ONLY BE USED IN AUTOMOTIVE APPLICATIONS AT USER'S OWN RISK.**

Resale of ST products with provisions different from the statements and/or technical features set forth in this document shall immediately void any warranty granted by ST for the ST product or service described herein and shall not create or extend in any manner whatsoever, any liability of ST.

ST and the ST logo are trademarks or registered trademarks of ST in various countries.

Information in this document supersedes and replaces all information previously supplied.

The ST logo is a registered trademark of STMicroelectronics. All other names are the property of their respective owners.

© 2007 STMicroelectronics - All rights reserved

STMicroelectronics group of companies

Australia - Belgium - Brazil - Canada - China - Czech Republic - Finland - France - Germany - Hong Kong - India - Israel - Italy - Japan - Malaysia - Malta - Morocco - Singapore - Spain - Sweden - Switzerland - United Kingdom - United States of America

[www.st.com](http://www.st.com)